

B 300 GV

TYPE	WEIGHT RANGE	CAPACITY (FIXED)	VARIABLE (OPTION)
1000	100 - 1200 gr	<3000 pcs/h.	2000-3000 pcs/h.
1500	200 - 1800 gr	<3000 pcs/h.	2000-3000 pcs/h.
2000	400 - 2400 gr	<3000 pcs/h.	2000-3000 pcs/h.
2002*	50 - 600 gr	<6000 pcs/h.	4000-6000 pcs/h.

* inclusive 2 straight discharge conveyors length 1300 mm

DIMENSIONS (DEPENDING ON EXECUTION)		WEIGHT	CONNECTED LOAD
Length	1175 mm	net 720 kg	230/400 V, 3 ph, 50 Hz + earth
Width	1015 mm	gross 880 kg	1,8 KVA
Height	1867 mm	Shipping volume 2,6 m ³	

OPTIONS

- Hopper inside Teflon coated 60, 95, 180 ltr.
- Oiling on hopper
- Undercarriage with swivel castors
- Oil tank connection to central oil tank
- Weight range 100-1200/200-1800/400-2400 gr
- 2 discharge conveyors in case of 2 piston version
- Customer specific Blue Box

WP HATON BV

Industrieterrein 13 // 5981 NK Panningen // Netherlands // Phone +31 77307-1860 // Fax +31 77307-5148 // info@wp-haton.com // www.wp-haton.com



B 300 GV

Dough Divider

B 300 GV

Grand Vitesse

Picture B 300 GV

SPECIALLY DEVELOPED FOR DIVIDING DOUGH IN FRENCH BAGUETTES LINES AND FOR THE PRODUCTION OF BAGUETTES AND PETIT PAIN IN INDUSTRIAL AND SEMI-INDUSTRIAL LINES WITH A CAPACITY UP TO 3000 PCS/H.



BENEFITS

- High weight precision
- Especially developed for baguettes doughs
- Suitable for high capacity lines
- Fits in every common line concept
- Dough friendly dividing
- Hinged hopper for easy cleaning
- Dividing of 'green' doughs as well pre-fermented doughs
- Special round hopper design for excellent filling of the dividing unit
- Main piston Ni-Resist
- Measuring pistons plastic
- Self-cleaning knife
- Double sided drive of backslide and ejection mechanism
- Oil catch tray underneath machine
- Solid construction of frame and drive system
- Suction volume adjustable

BASIC EXECUTION:

- B 300 GV: 1 pocket machine (multi pocket upon request)
- Dividing unit with automatic oiling, 12 fixed dosing valves
- Out-feed conveyor straight 1300 mm. with drum motor and frequency inverter
- Pneumatic discharge flap with plastic scraper
- Hopper stainless steel inside Teflon coated 150 ltr.
- Hopper base Teflon coated
- Oil tank with float-operated switch (option) contents 5 ltr.
- Frequency inverter for adjustable speed
- Stop position for easy cleaning
- Removable inner conveyor
- Servo weight adjustment with digital read out
- Fully oiling on measuring piston, hopper (option) and dividing unit
- Main piston Ni-Resist
- Undercarriage with feet
- Oil shortage detection
- Plastic measuring piston(s)
- Oiling on discharge conveyor
- Control box integrated in cover plates (left side)

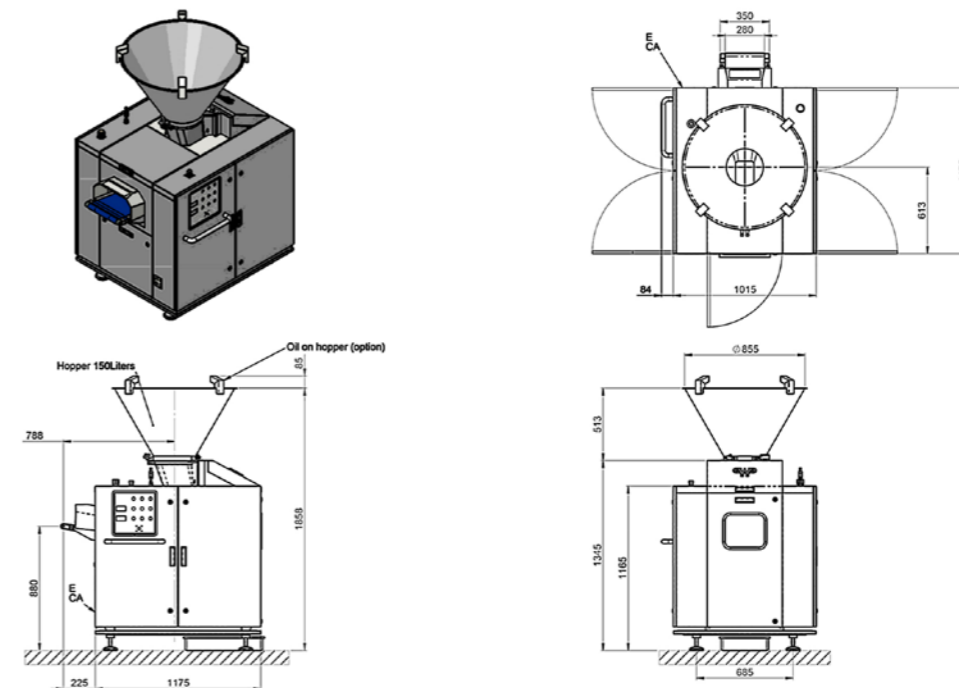


Illustration B 300 GV