

V 500

TYPE	POCKETS	WEIGHT RANGE	PARTITIONS IN MM	CAPACITY
V 500-1	-	300 - 2600 gr	-	<1500 pcs/h.
V 500-1/2	1	300 - 2600 gr	-	<1500 pcs/h.
	2	150 - 1200 gr	25	<3000 pcs/h.
V 500-2/4	2	150 - 1200 gr	25	<3000 pcs/h.
	4	50 - 425 gr	25	<6000 pcs/h.
V 500-3		100 - 700 gr	15	<4500 pcs/h.

DIMENSIONS		WEIGHT	CONNECTED LOAD
Length	2939 mm	nett 720 kg	230/400 V, 50 Hz + earth
Width	1510 mm	gross 880 kg	1,8 KVA
Height	1707 mm	Shipping volume 1,6 m ³	

OPTIONS

- Hinged hopper 120, 180 and 250 ltr., inside Teflon coated
- Belt oiling
- Oiling of hopper
- Discharge conveyor from 800-1600 mm, can be lengthened by 100 mm, left or right side
- Flour duster with independent drive
- Flour duster for rye flour
- Frequency inverter for independent speed adjustment of outside conveyor
- Separate drive outside conveyor
- Oiling on measuring pistons
- Oiling on 8 points
- Curling net on discharge conveyor
- Belts, felt
- Connection for Checkweigher
- Height increase 100 mm
- Customer specific Blue Box

WP HATON BV

Industrieterrein 13 // 5981 NK Panningen // Netherlands // Phone +31 77307-1860 // Fax +31 77307-5148 // info@wp-haton.com // www.wp-haton.com



V 500
Dough Divider

V 500

Picture V 500

DEVELOPED FOR DOUGH FRIENDLY DIVIDING OF MANY DIFFERENT DOUGH TYPES WITH A HIGH WEIGHT PRECISION. CAN BE USED FOR DOUGH TYPES SUCH AS WHEAT DOUGHS, RYE DOUGHS UP TO 70% RYE AND DOUGHS WITH A HIGH WATER ABSORPTION. ALSO DOUGHS WITH A LONG FLOOR TIME AND SENSITIVE DOUGHS WITH OR WITHOUT FILLING CAN BE PROCESSED.



BENEFITS

- Dividing unit Ni-Resist
- Touch screen for all machine adjustments
- Voluminator II
- Wide variety of weights, dough, capacity possible
- Quick tensioners on conveyors
- Two-sided drive on backside
- Oil catch tray underneath the machine
- Robust design
- Dough friendly dividing at a high capacity
- Self-cleaning knife
- Hinged hopper
- Service program in PLC

BASIC EXECUTION:

- V 500: 1, 1/2, 3, 2/4 pocket machine
- Dividing unit Ni-Resist with automatic oiling with 4 fixed dosing valves
- Voluminator Compact II
- Discharge conveyor cross 500 mm, with quick-lock system, scraper and catch tray
- Separate drive on in- and outside conveyor with drum motors
- Pneumatic discharge flap with plastic scraper
- Hopper stainless steel inside Teflon coated contents 70 ltr. with safety ring
- Hopper base Teflon coated
- Oil catch tray underneath the machine
- Frequency inverter for variable speed of drive system
- Operation by means of touch screen
- Main piston Ni-Resist
- Automatic switch of in case of no oil
- Measuring pistons bronze
- Knife hardened steel
- Cover plates stainless steel, brushed, with Schmersal safety switches
- Frame steel, nickel coated
- Crankshaft and drive rods cast iron, nickel coated

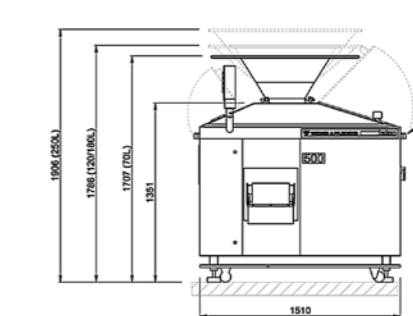
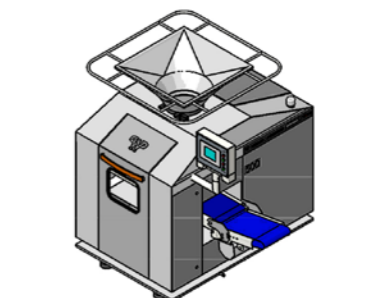
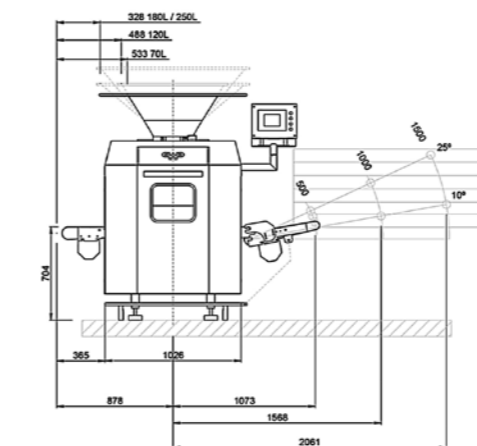
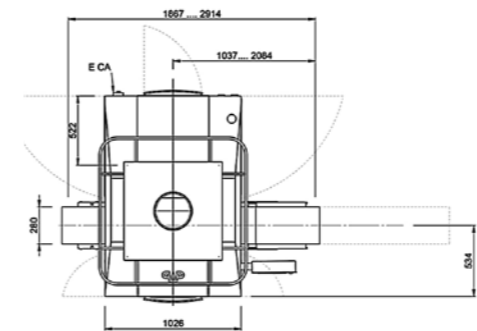


Illustration V 500