

# *Girotherm*

*For the everyday bread*



# *Girotherm*

The **Girotherm** rotating racks oven has a hot-air convection baking system and allows continuous production, due to the fact that fermentation, transport and cooling take place in the same backing rack.

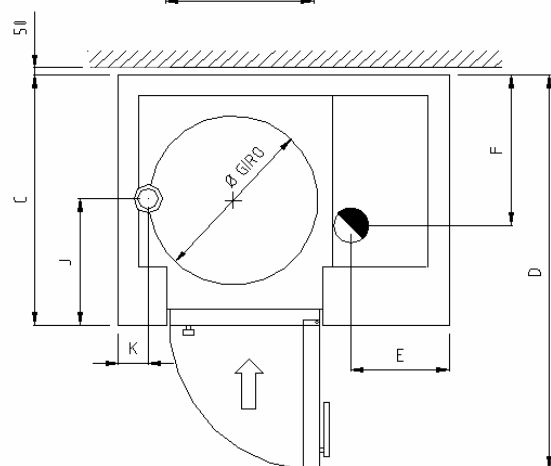
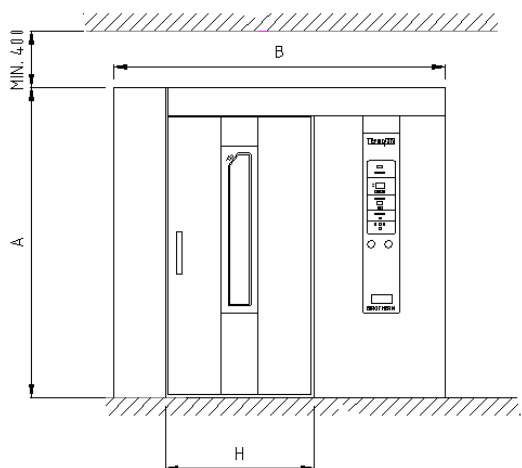
## *Characteristics:*

- Trays (mm): 700x500, 800x600, 980x680, 1000x800, etc.
- Available with 1 or 2 racks, from 14 to 21 decks per rack.
- Baking surface: from 6 to 28 m<sup>2</sup>.
- Control panel with microprocessor, which allows programming various different baking processes.
- Available with PLC control.
- Heating: gas, diesel, electric.
- Wholly built of stainless steel and refractory materials.



# *Girotherm*

**Models TPS/TPE**



|            |             | TPS  |      |      |      | TPE  |      |      |      |
|------------|-------------|------|------|------|------|------|------|------|------|
|            |             | 95   | 100  | 123  | 135  | 95   | 100  | 123  | 135  |
| Sizes (mm) | A           | 2200 |      |      |      | 2200 |      |      |      |
|            | B           | 1740 | 1990 | 2250 | 2350 | 1740 | 1990 | 2250 | 2350 |
|            | C           | 1320 | 1490 | 1675 | 1775 | 1320 | 1490 | 1675 | 1775 |
|            | D           | 2090 | 2390 | 2665 | 2845 | 2090 | 2390 | 2665 | 2845 |
|            | E           | 590  | 660  | 700  |      | 590  | 660  | 700  |      |
|            | F           | 690  | 785  | 970  | 1070 | 690  | 785  | 970  | 1070 |
|            | J           | 770  | 900  | 990  | 1070 | 770  | 900  | 990  | 1070 |
|            | H           | 505  | 740  | 845  | 895  | 505  | 740  | 845  | 895  |
|            | K           | 170  | 215  | 210  |      | 170  | 215  | 210  |      |
|            | Weight (kg) |      | 1600 |      | 2400 | 2600 | 1400 |      | 2200 |



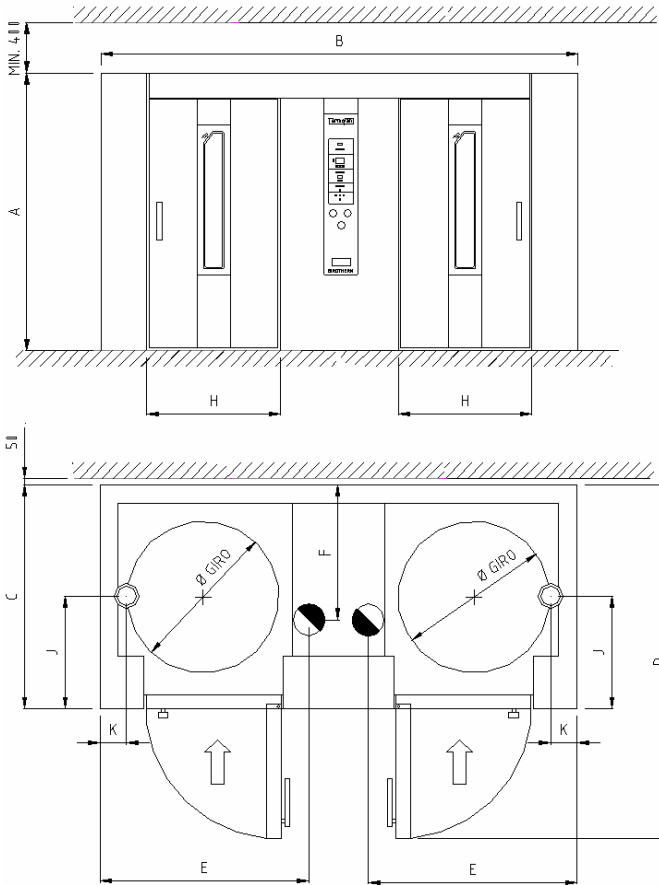
**Gas exit**



**Steam exit**

|                                  |        | TPS        |         |         |          | TPE      |         |         |          |
|----------------------------------|--------|------------|---------|---------|----------|----------|---------|---------|----------|
|                                  |        | 95         | 100     | 123     | 135      | 95       | 100     | 123     | 135      |
| Heating                          |        | Gas/Diesel |         |         |          | Electric |         |         |          |
| Baking Surface (m <sup>2</sup> ) |        | 8          | 8,7     | 12      | 14       | 8        | 8,7     | 12      | 14       |
| Trays                            |        | 700x500    | 800x600 | 980x680 | 1000x800 | 700x500  | 800x600 | 980x680 | 1000x800 |
| Racks                            |        | 1          |         |         |          | 1        |         |         |          |
| No decks per rack                |        | 14/21      |         |         |          | 14/21    |         |         |          |
| Rack rotation Ø max. (mm)        |        |            | 1070    | 1230    | 1350     |          | 1070    | 1230    | 1350     |
| Heating power                    | Kw     | 70         |         | 95      | 115      | 70       |         | 95      | 115      |
|                                  | Kcal/h | 60000      |         | 80000   | 100000   | 60000    |         | 80000   | 100000   |
| Electrical power (kw)            |        | 1,5        |         | 2,3     |          | 40       |         | 65      | 75       |

***Girotherm***



**Models TPD**



Gas exit



Steam exit

|            |             | TPD    |        |
|------------|-------------|--------|--------|
|            |             | 123    | 135    |
| Sizes (mm) | A           | 2200   | 2200   |
|            | B           | 3755   | 3955   |
|            | C           | 1675   | 1775   |
|            | D           | 2065   | 2845   |
|            | E           | 1497,5 | 1497,5 |
|            | F           | 970    | 1070   |
|            | H           | 990    | 1070   |
|            | J           | 845    | 895    |
|            | K           | 210    | 210    |
|            | Weight (kg) |        | 2800   |

|                                  |        | TPD        |         |
|----------------------------------|--------|------------|---------|
|                                  |        | 123        | 135     |
| Heating                          |        | Gas/Diesel |         |
| Baking surface (m <sup>2</sup> ) |        | 24         | 28      |
| Trays (mm)                       |        | 980 x680   | 100x800 |
| Racks                            |        | 2          |         |
| No decks per rack                |        | 14/21      | 14/21   |
| Rack rotation Ø max.             |        | 1230       | 1350    |
| Heating power                    | Kw     | 140        | 175     |
|                                  | Kcal/h | 120000     | 150000  |
| Electrical power (Kw)            |        | 6          |         |



Aritz Bidea, 79 – Atela Auzotegia – 48100 MUNGIA (Bizkaia) – SPAIN

Apartado Correos 137 – E-mail: [info@termopan.net](mailto:info@termopan.net)

Telf. (+34) 94 615 64 60 – Fax (+34) 94 674 40 54

[www.termopan.net](http://www.termopan.net)

